

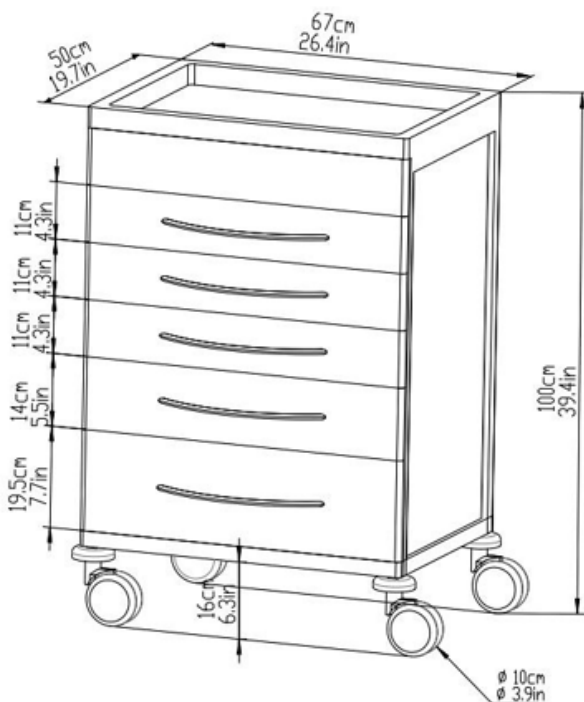


ESSENTIAL EQUIPMENT

CRIS

Ref. EMG05R

Emergency trolley made of high-quality materials. Constructed with aluminium composite panels, drawers, and pillars. ABS moulded top with glossy plastic plate. Easy to clean and disinfect, and extremely durable. 3 out of the 6 drawers include transparent polycarbonate dividers for product separation. Supports up to 200 kg. Accessories included.



Features:

- Modular ABS surface, strong and easy to clean. Aluminium alloy pillar with electroplating, offering high strength, abrasion and corrosion resistance. Aluminium composite panel for the sides and back;
- White table surface;
- Drawer: Multi-type design, moulded aluminium alloy drawer with soft-close sliding rail and transparent polycarbonate dividers for organised storage of medicines and devices; Drawer handle in 304 stainless steel or ABS; Non-slip mat in each drawer;
- Central lock or tamper seals for medicine security;
- Four silent wheels with a diameter of 100 mm. On the two front wheels: red for brake, green for direction.



55.0



0.48



58.0x76.0x110.0 cm